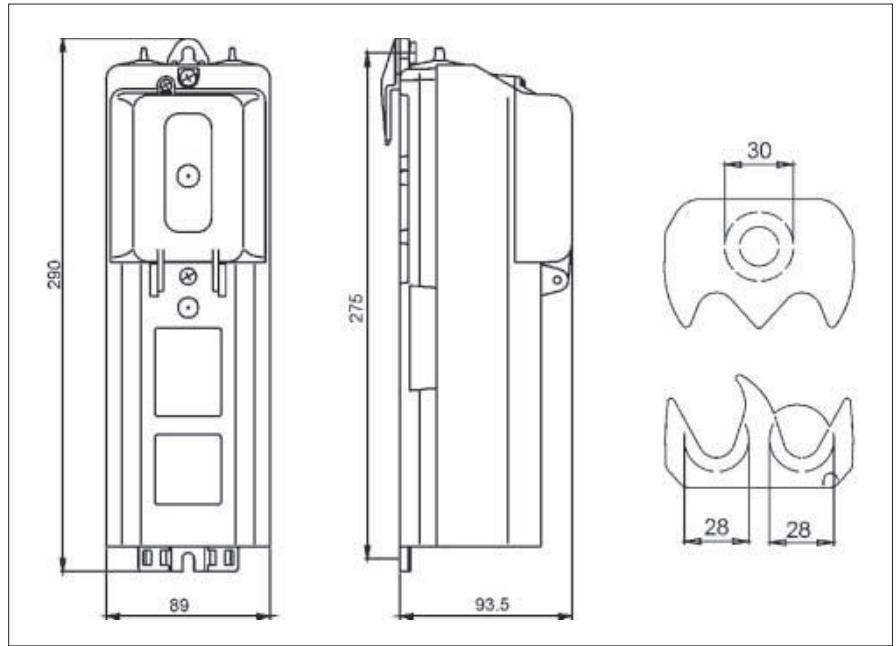
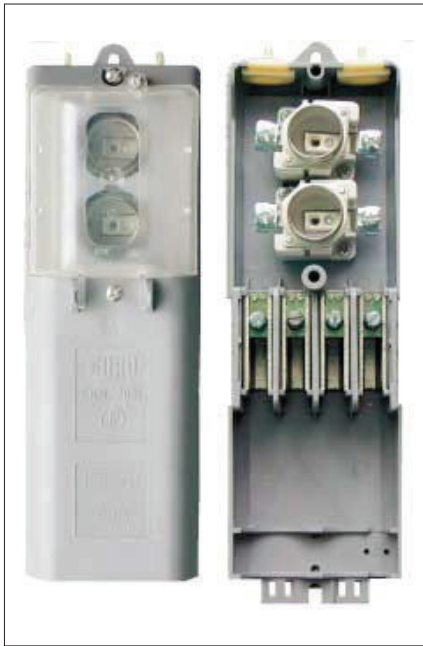


EKM 2035 – Connection Box for Lighting Application

Pole Diameter ≥ 110 mm, Fuses: DII (E27), Earth Cables ≤ 50 mm²



Application

This connection box is intended to be installed in lighting columns at the connection between looped-through earth cables and the luminaire components protected by fuses.

Special equipment as MCBs, timers, residual current devices or the like can be integrated on DIN rails.

Selection Criteria

- For application inside of lighting columns
Pole diameter: ≥ 110 mm
Door size: $\geq 90 \times 300$ mm
- 4 sliding terminals for
2 cables 4–50 mm² or
3 cables 4–35 mm²
- Optional Fuses D II (E27) up to 25 A
- Optional for standard installation devices on DIN-rail attachable up to 3 TE width (3 x 18 mm), max. height of devices 75 mm.

Technical Data

- Acc. IEC 60439-1
- Impact resistant thermoplastic
- All metal parts corrosion protected
- Transparent fuse cover
- Ingress Protection: IP 43
- Class of Protection II
- Range taking self adapting cable sealings
 \varnothing 16–35 mm earth cable
 \varnothing 8–14 mm luminaire cable
 (2 sealings for 2 luminaire cables
 3 x 1,5 mm²–5 x 2,5 mm²)
 or 2 x 4 wires \varnothing 1,5–3 mm

Fuse sockets	Cross section (mm ²)		Ordering description
	for 1 and 2 cables	for 3 cables	
1 x D II (E 27)	4 x 4–50	4 x 4–35	EKM 2035-1D2
2 x D II (E 27)	4 x 4–50	4 x 4–35	EKM 2035-2D2
none*	4 x 4–50	4 x 4–35	EKM 2035-0D0
none, DIN-rail**	4 x 4–50	4 x 4–35	EKM 2035-0D0-1R

Note: Fuses, adapter screws and screw caps not included. Accessories and spare parts see page 121 and 122

* Connector block only and screws for fuse sockets

** Connector block only and DIN-rail for up to 3 MCB