

# Red Spot BS Fuse Holder



## Features and Benefits

- Industry standard fuse holder addresses many application needs.
- Fully shrouded for greater safety.
- Most comprehensive range available to meet the majority of applications.
- High resistance body material helps ensure high dielectric strength.
- Extremely reliable contact system for superior electrical conductivity.

## Specifications

### Agency Information:

BS88 and IEC 60269

### Rated Voltage:

690Vac (BS88 and IEC 60269)

### Rated Current:

20 to 400A

### Terminal Conductor Range:

10 to 240mm<sup>2</sup>

### Maximum Ambient Operating Temperature:

40°C

### Protection Index:

IP20

### Packaging:

20 to 63A: 10 per pack

100A: 5 per pack

200 and 400A: 1 per pack

## Part Numbers

Fuse Holder Description	Colour	20A	32A	63A	100A	200A	400A
Front Connected	Black	RS20H	RS32H	RS63H	RS100H	RS200H	RS400H
	White	RS20HWH	RS32HWH	RS63HWH	RS100HWH	RS200HWH	
	Green	RS20HGN	RS32HGN				
	Grey	RS20HGY					
Back Stud Connected	Black	RS20P/G	RS32P	RS63P	RS100P	RS200P	RS400P
	White	RS20P/GWH	RS32PWH	RS63PWH	RS100PWH	RS200PWH	
	Green	RS20P/GGN	RS32PGN				
	Grey	RS20P/GGY					
Front / Back Stud Connected	Black	RS20PH/G	RS32PH	RS63PH	RS100PH	RS200PH	RS400PH
	White			RS63PHWH			
Back Stud Connected, Flush Mounted	Black	RS20F					
	White	RS20FWH					
	Green	RS20FGN					
	Grey	RS20FGY					

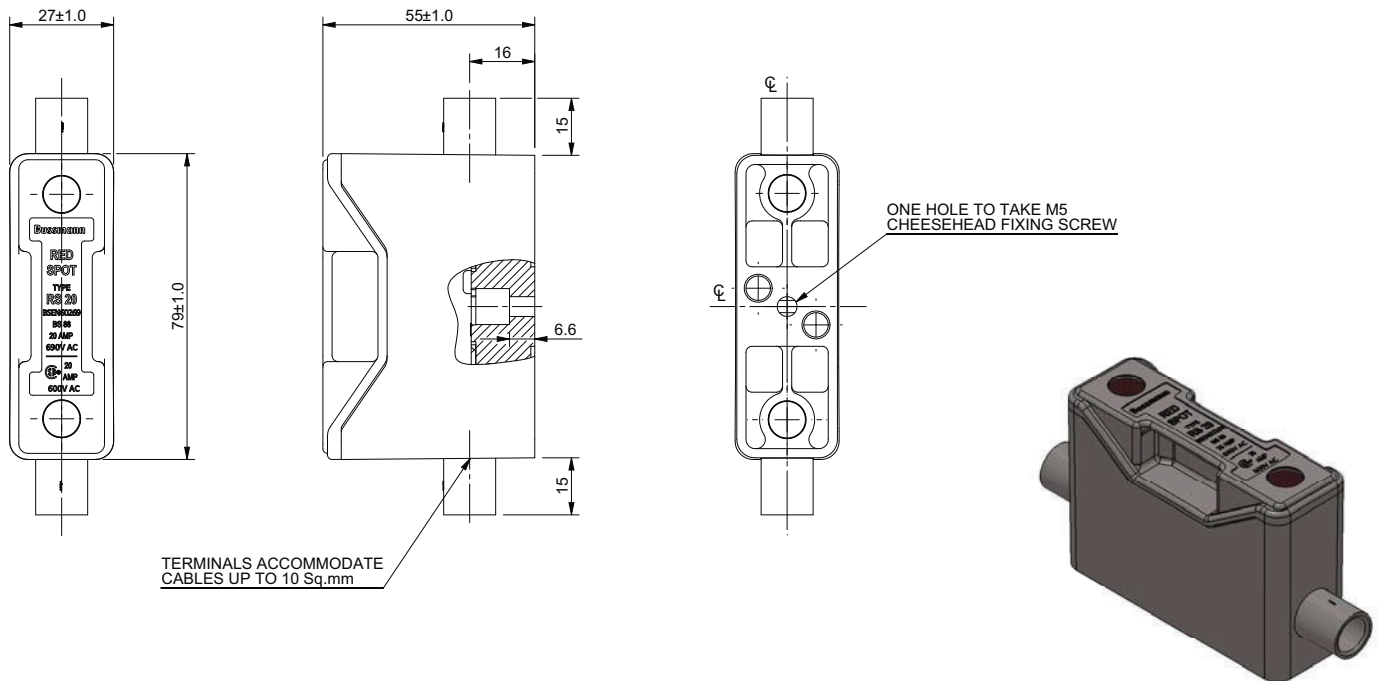
# Red Spot BS Fuse Holder

## Technical Data

Rated Current (Amps)	Rated Voltage (Vac)	Agency Markings	Max. Conductor Size	Compatible Fuse Links	Packaging
20	690	BS88 and IEC 60269	10mm <sup>2</sup>	NITD, NIT	10
32			16mm <sup>2</sup>	TIA, AAO, H07-660	10
63			50mm <sup>2</sup>	TIS, BAO, K07-660	10
100			70mm <sup>2</sup>	TCP, CEO, L14-660	5
200			120mm <sup>2</sup>	TF, DD, M09-660	1
400			240mm <sup>2</sup>	TM, EF, P11-660	1

## Dimensions - mm

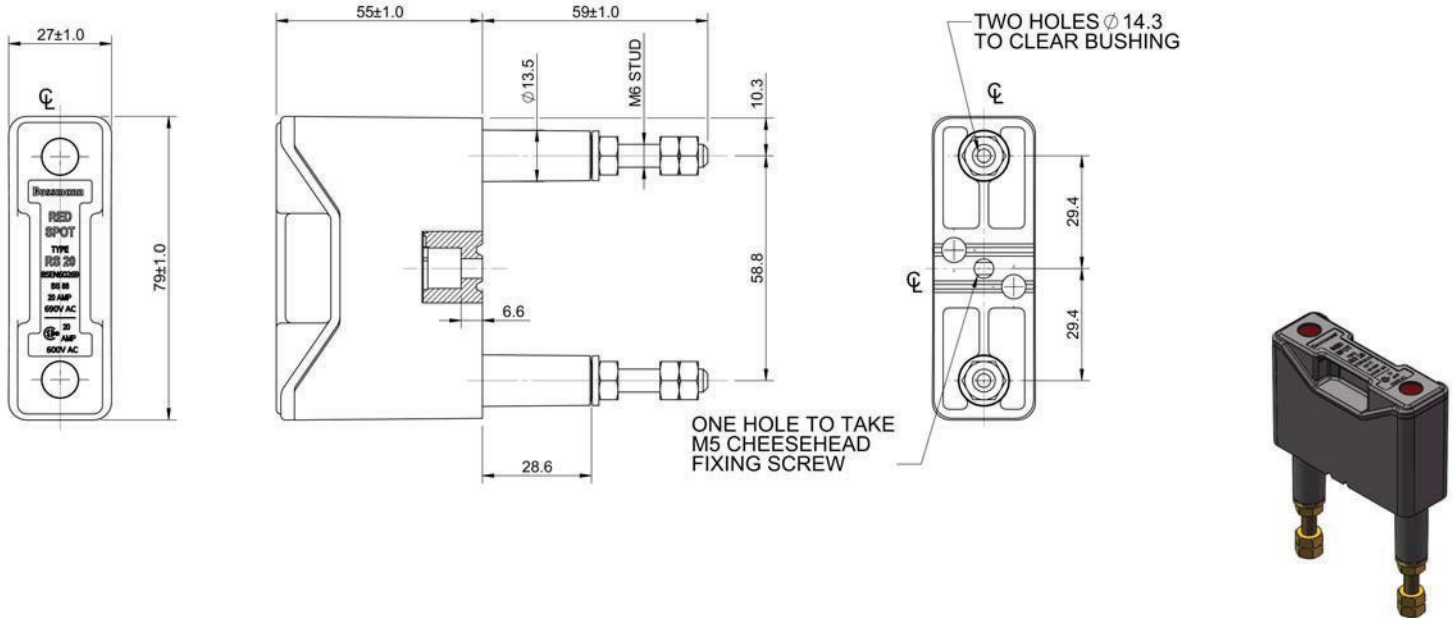
### 20A, Front Connected



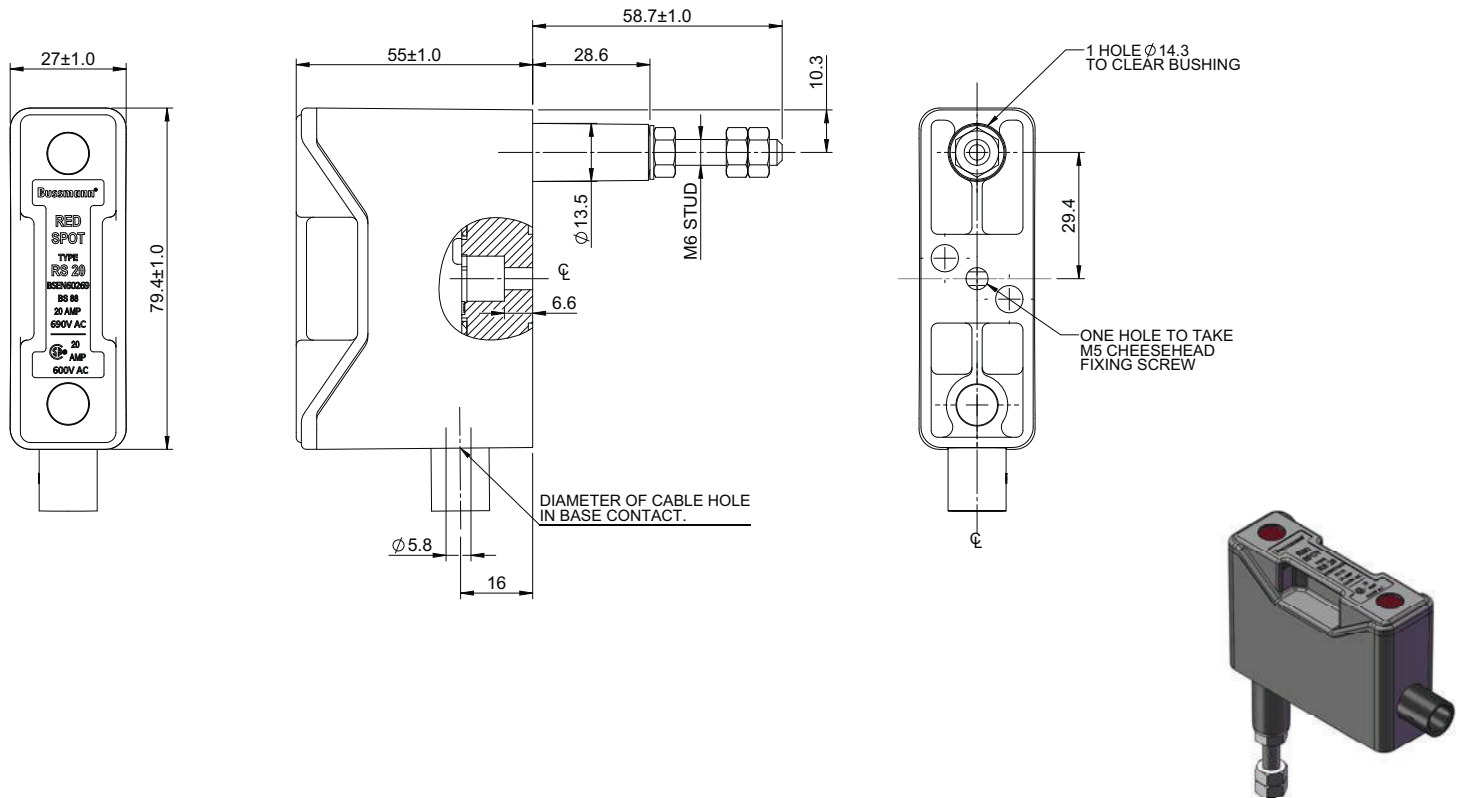
# Red Spot BS Fuse Holder

## Dimensions - mm

### 20A, Back Stud Connected



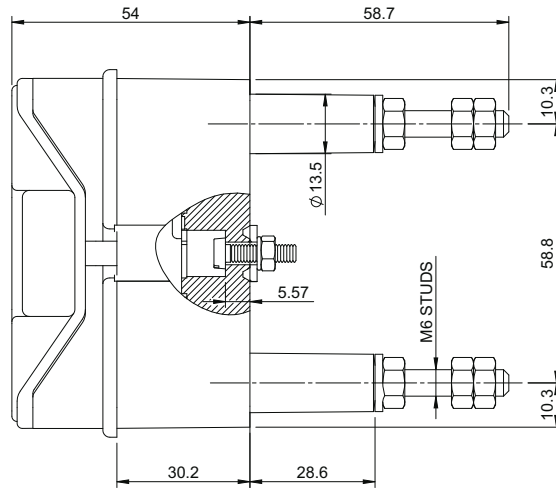
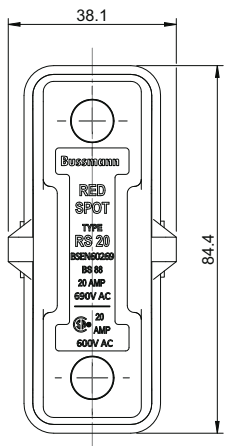
### 20A, Front / Back Stud Connected



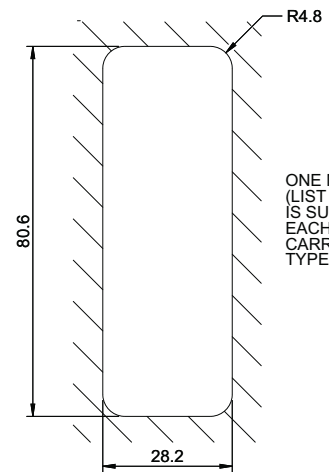
# Red Spot BS Fuse Holder

## Dimensions - mm

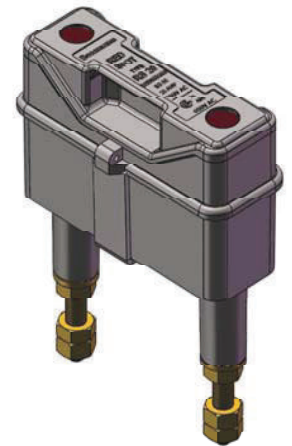
### 20A, Back Stud Connected - Flush Mounted



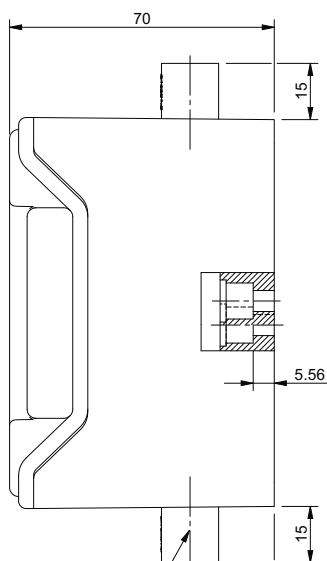
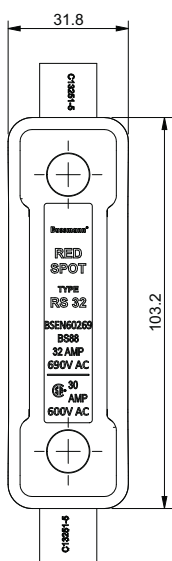
HOLE REQUIRED IN PANEL FOR FLUSH MOUNTING RS20F.



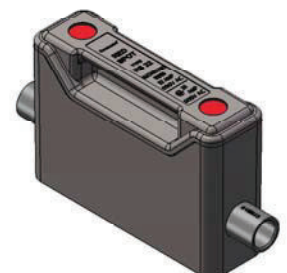
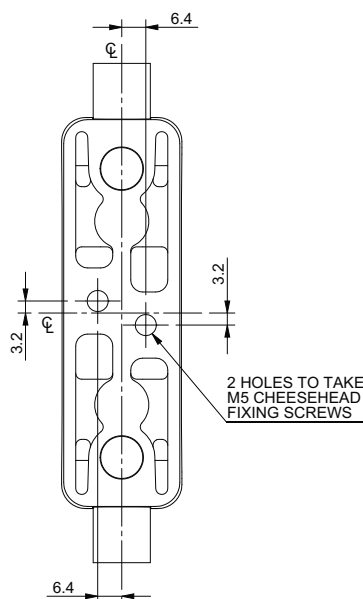
ONE MOULDING CLIP (LIST No. P67/10) IS SUPPLIED WITH EACH FLUSH MOUNTING CARRIER AND BASE TYPE RS20F.



### 32A, Front Connected



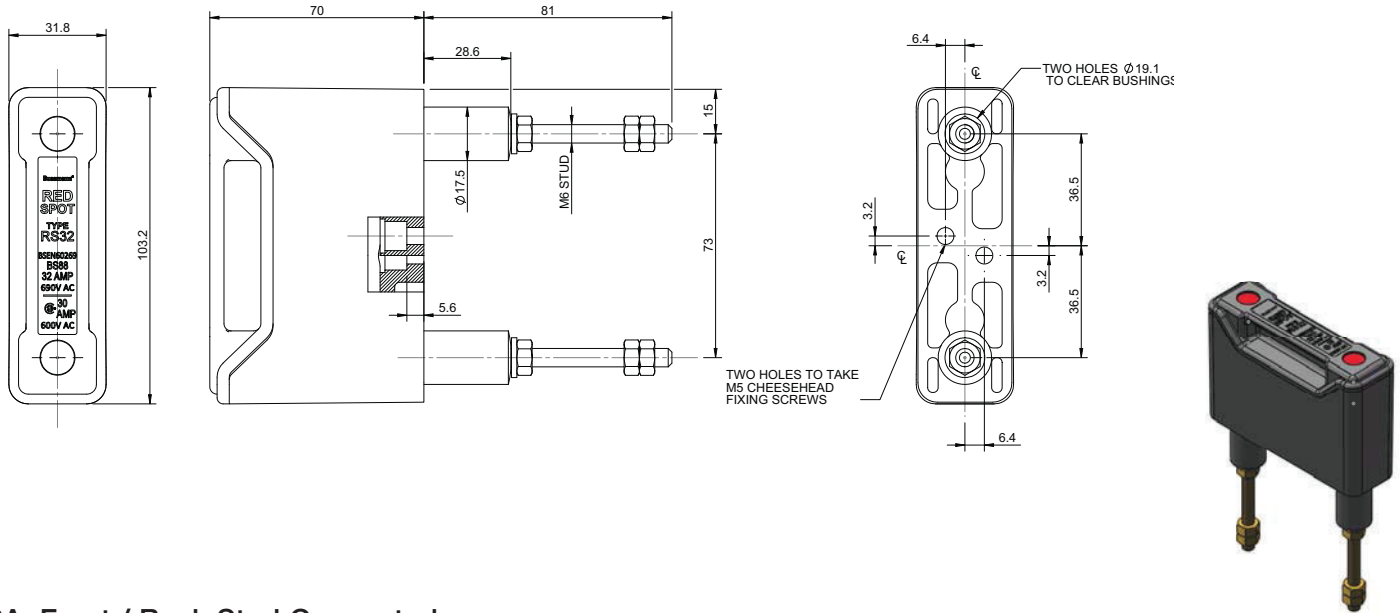
TERMINALS ACCOMMODATE CABLES UP TO 16 Sq.mm



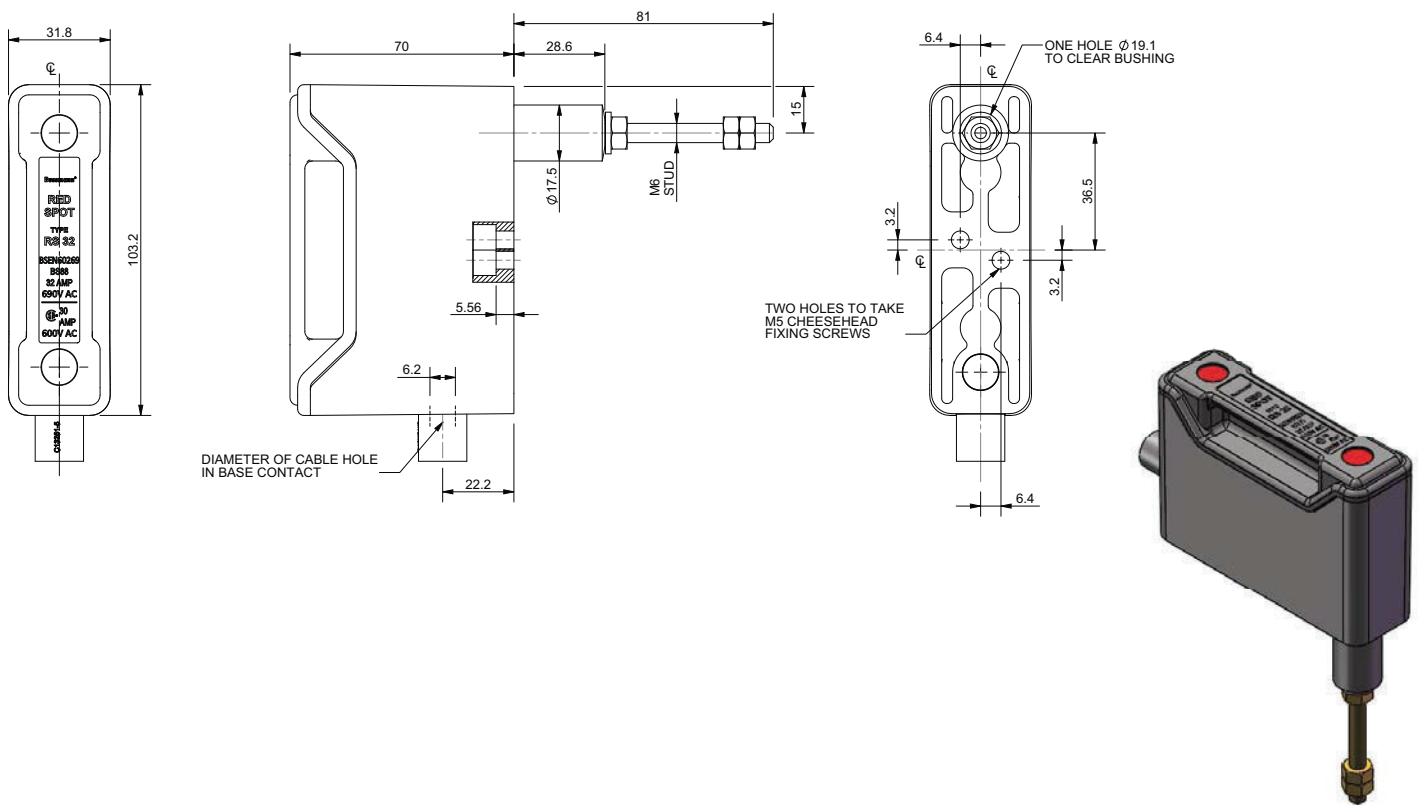
# Red Spot BS Fuse Holder

## Dimensions - mm

### 32A, Back Stud Connected



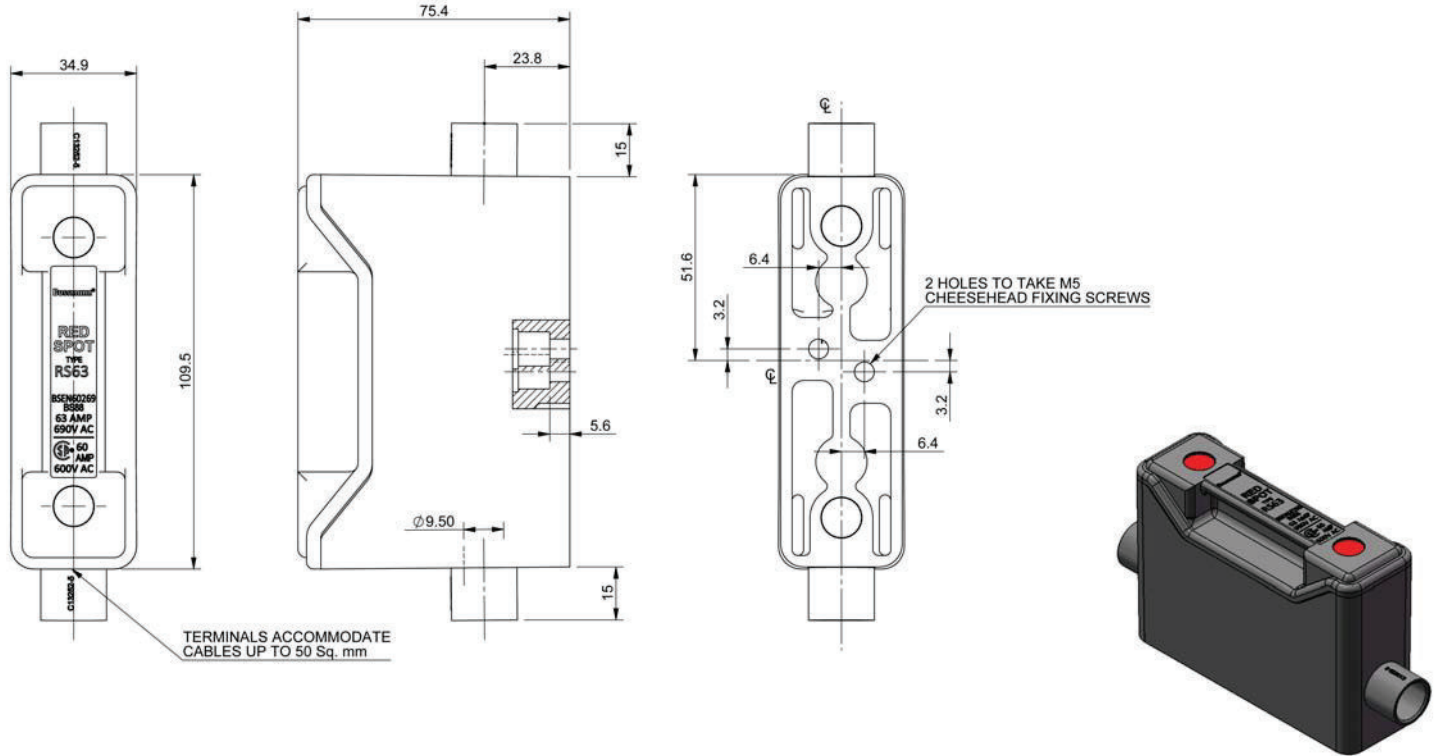
### 32A, Front / Back Stud Connected



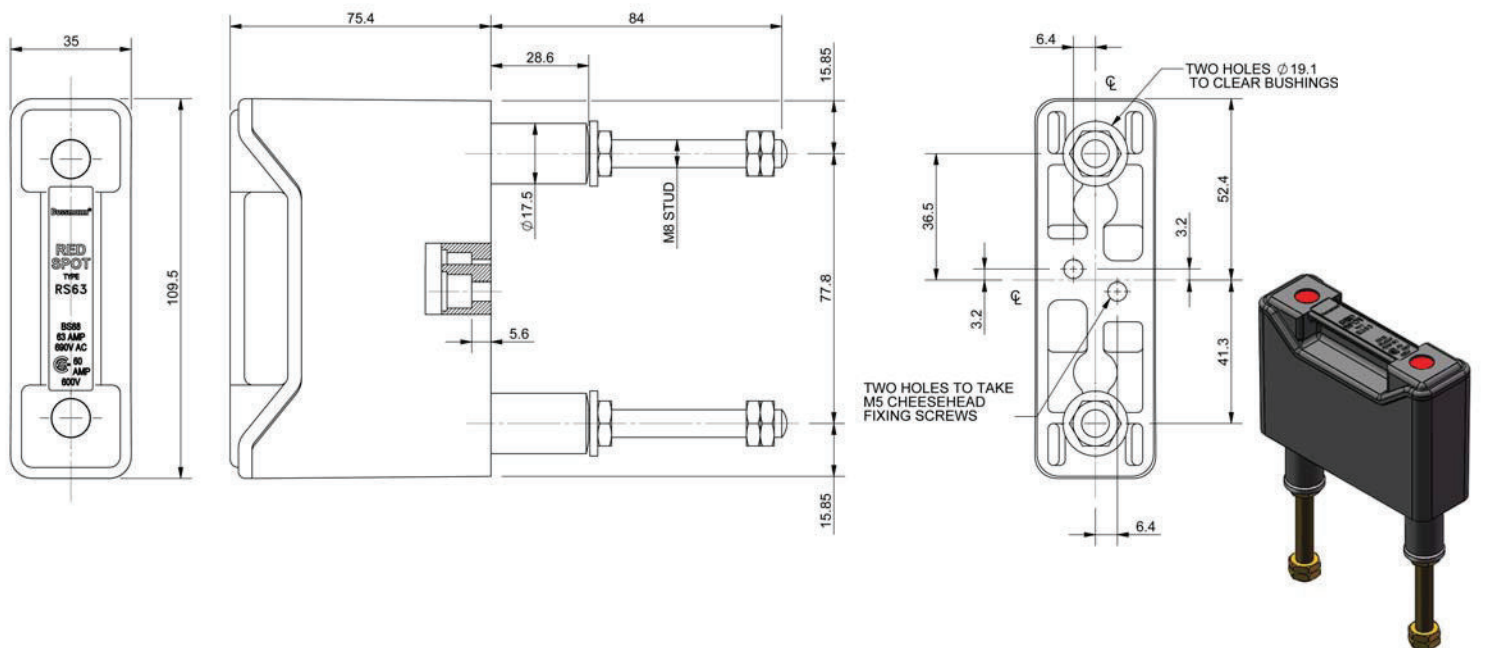
# Red Spot BS Fuse Holder

## Dimensions - mm

### 63A, Front Connected



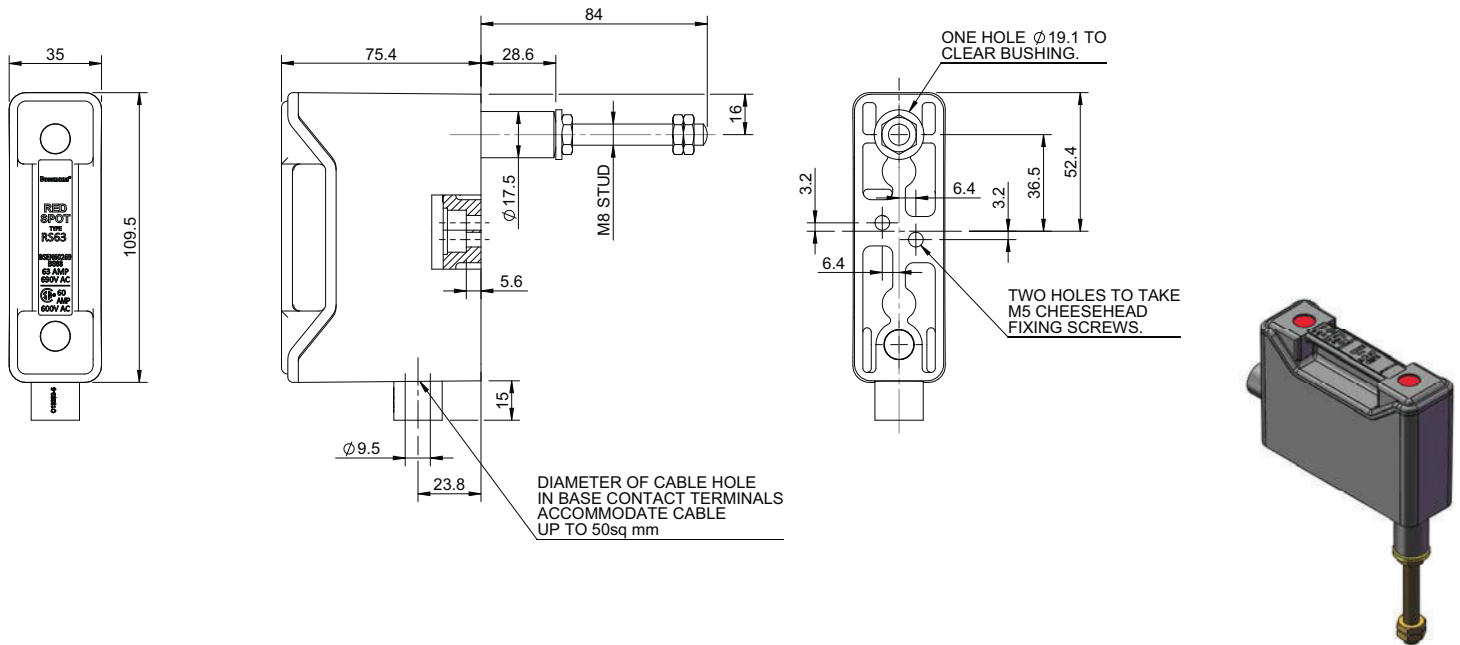
### 63A, Back Stud Connected



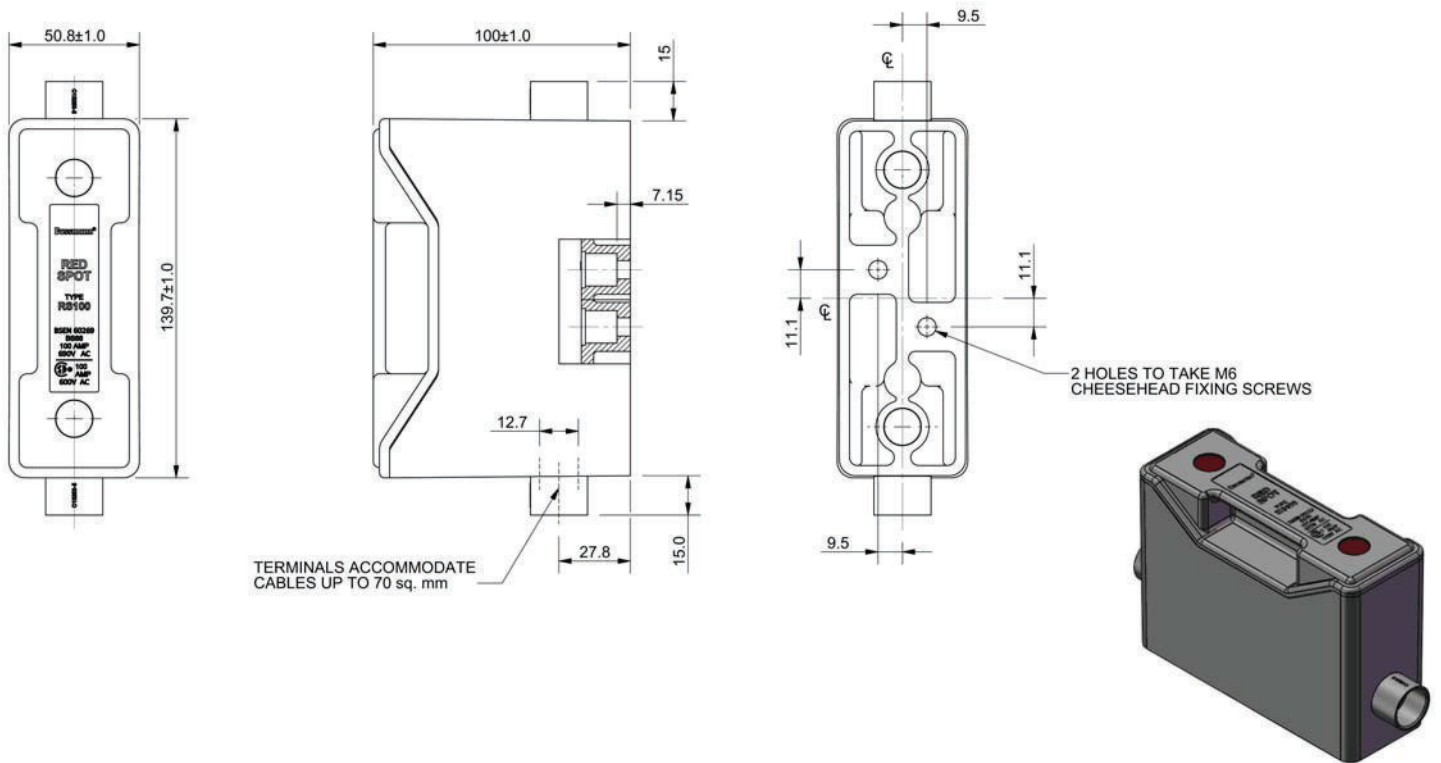
# Red Spot BS Fuse Holder

## Dimensions (mm)

### 63A, Front / Back Stud Connected



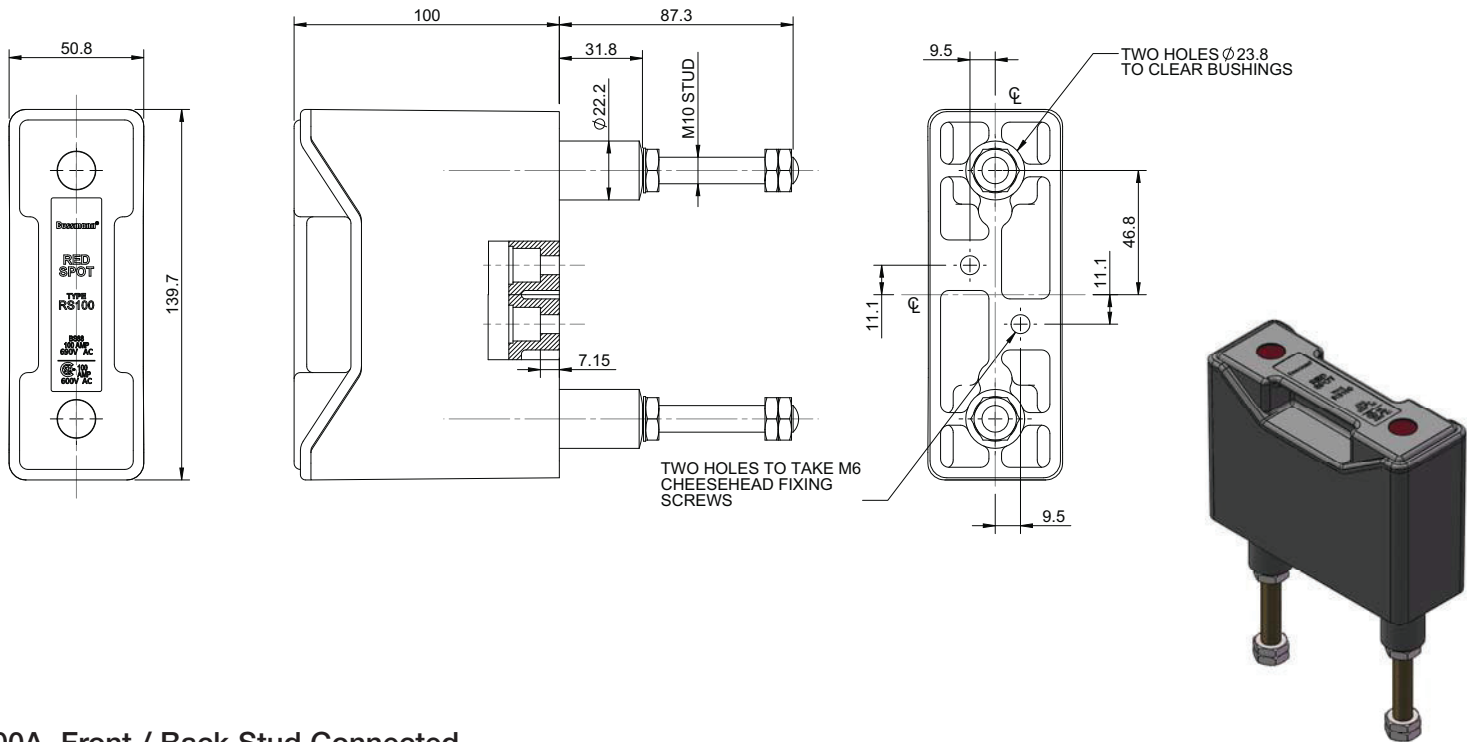
### 100A, Front Connected



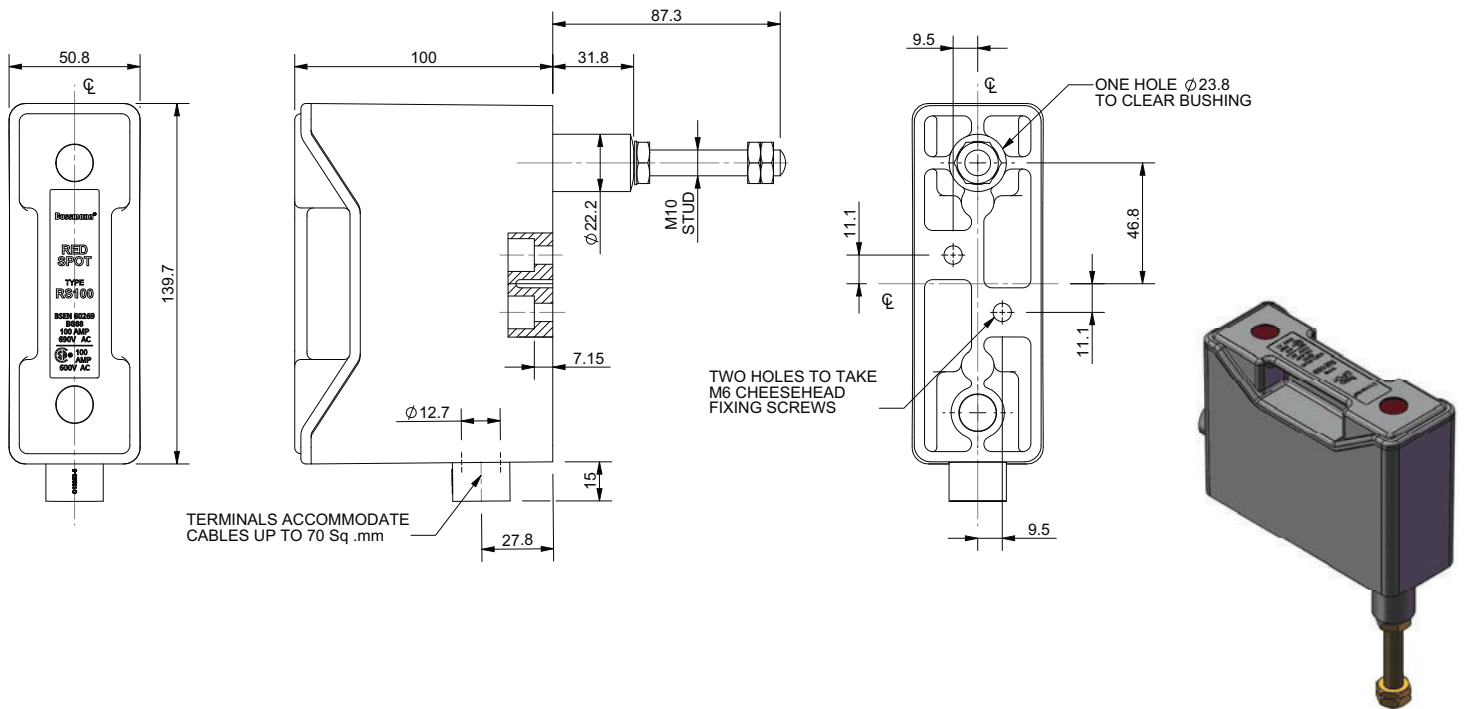
# Red Spot BS Fuse Holder

## Dimensions - mm

### 100A, Back Stud Connected



### 100A, Front / Back Stud Connected

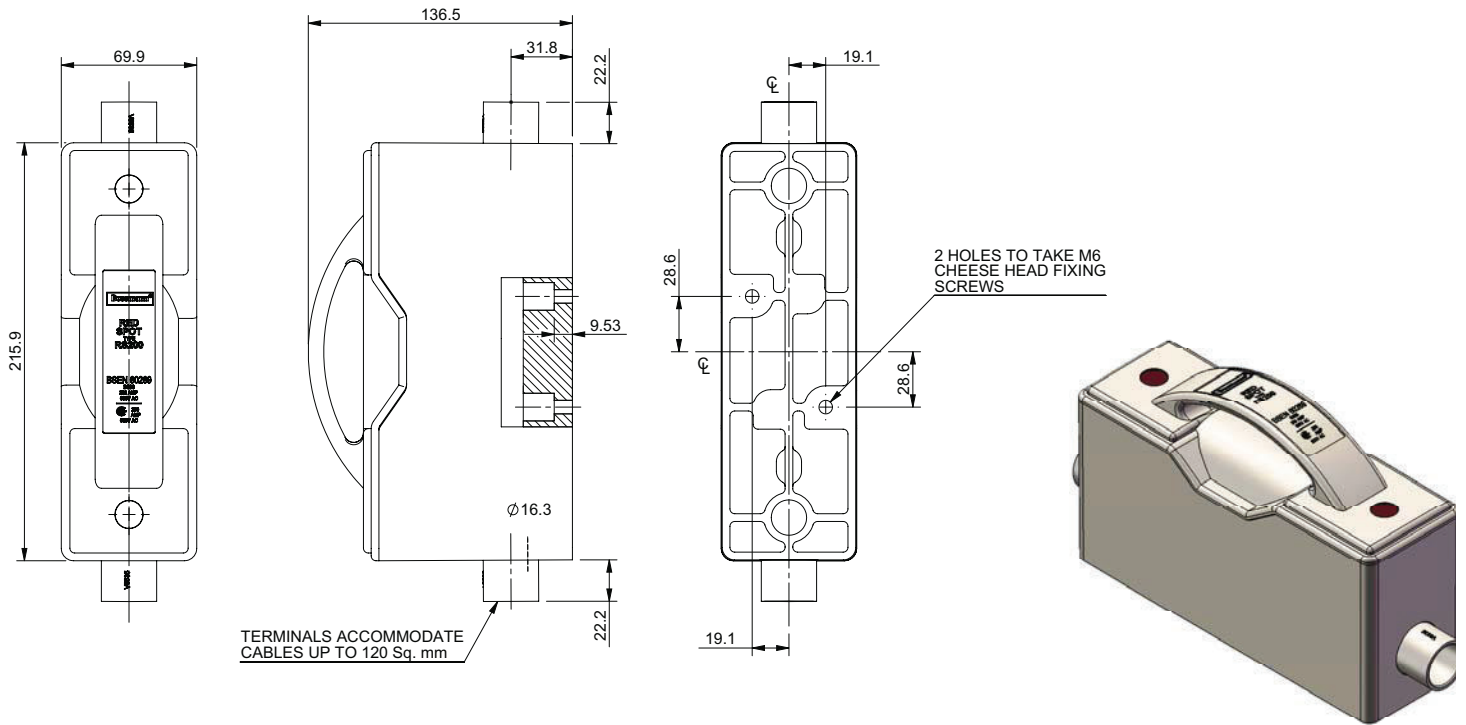




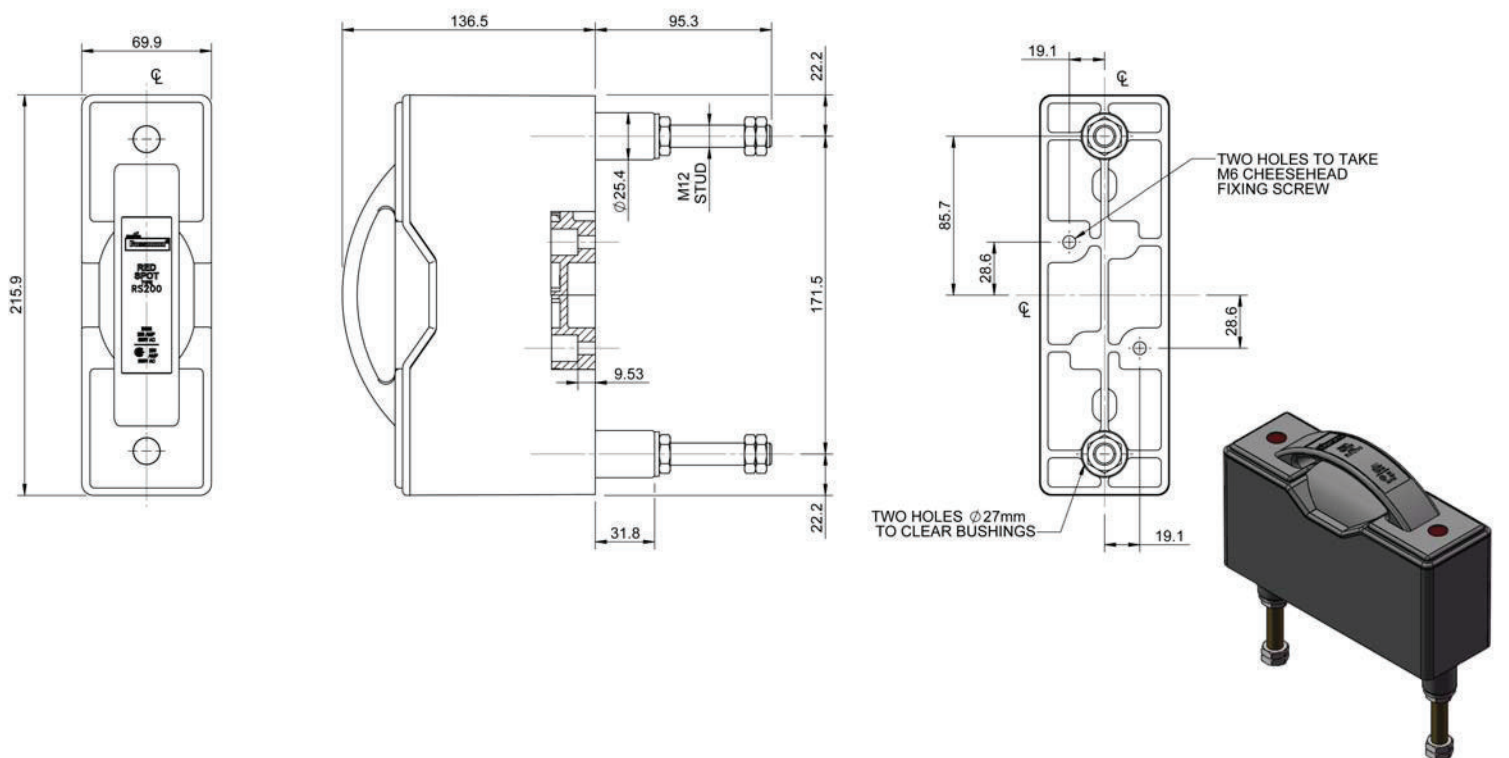
# Red Spot BS Fuse Holder

## Dimensions (mm)

### 200A, Front Connected



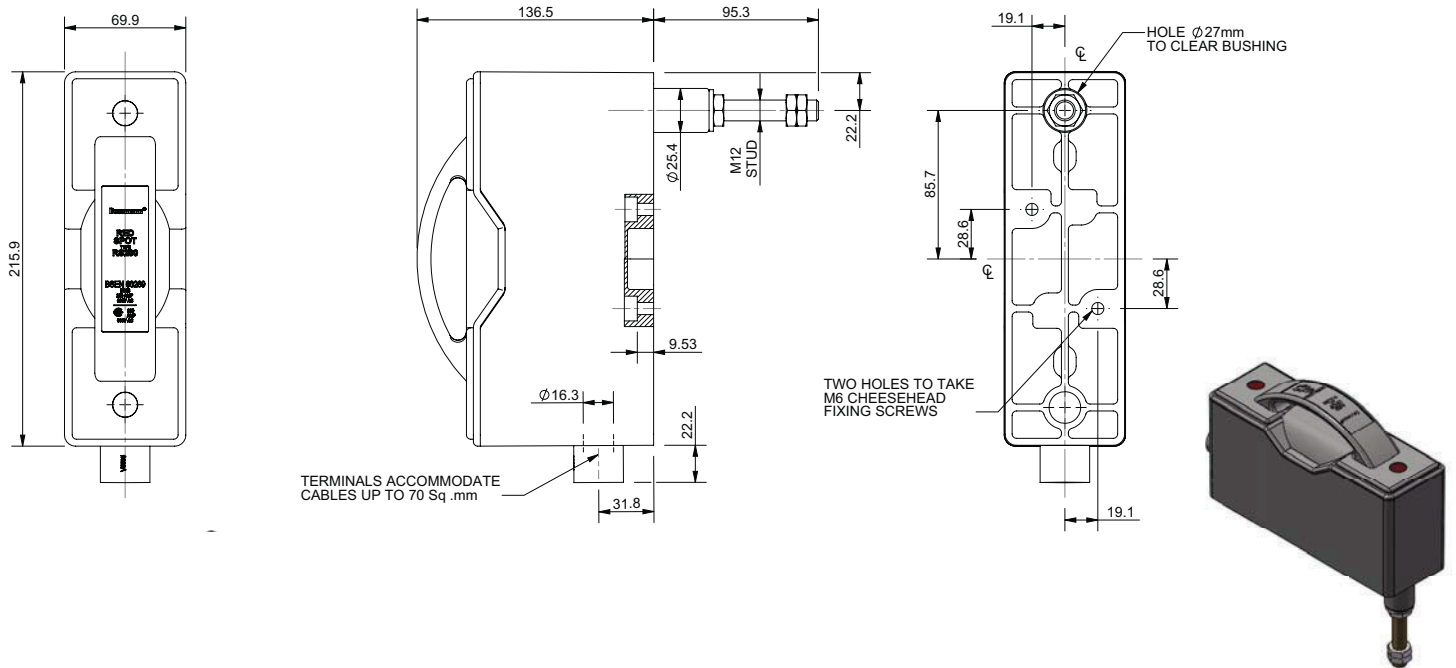
### 200A, Back Stud Connected



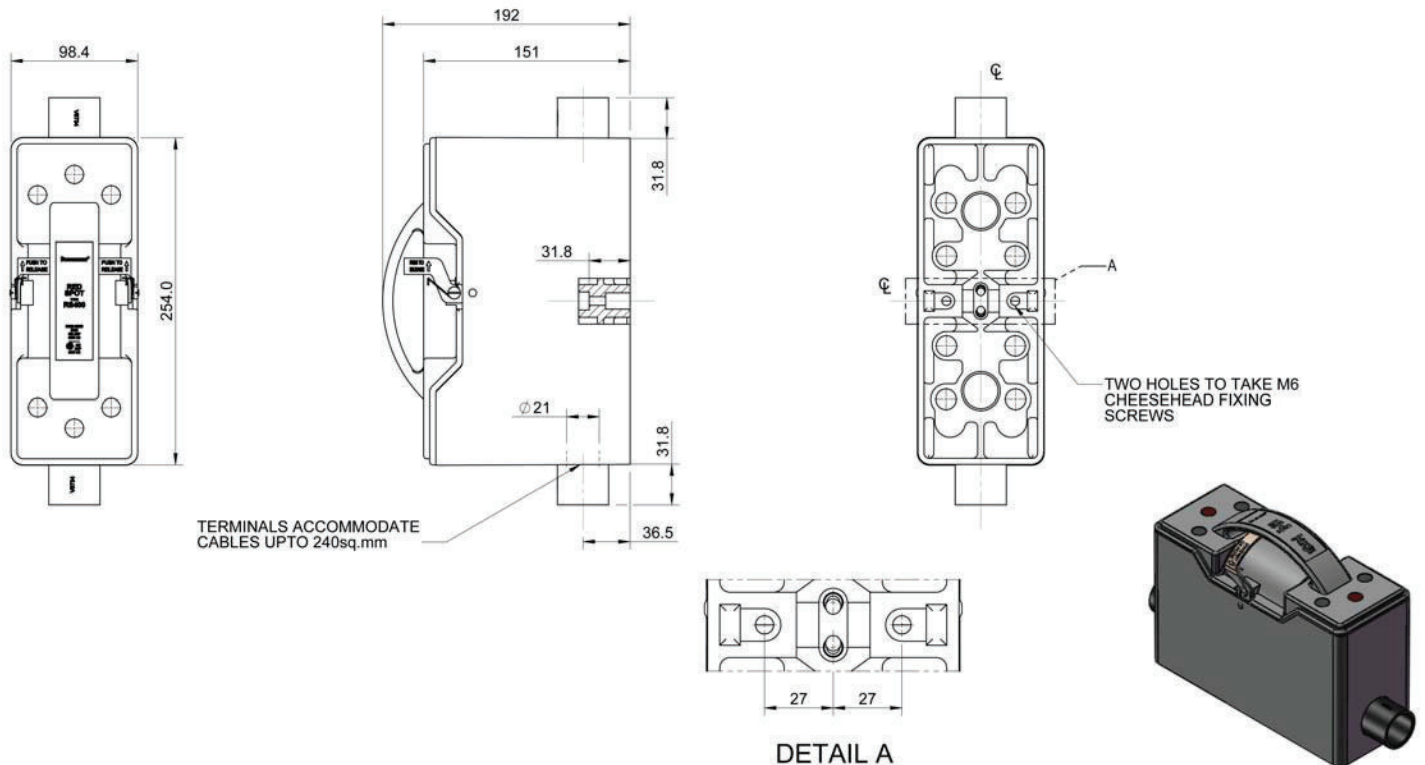
## Red Spot BS Fuse Holder

### Dimensions (mm)

#### 200A, Front / Back Stud Connected



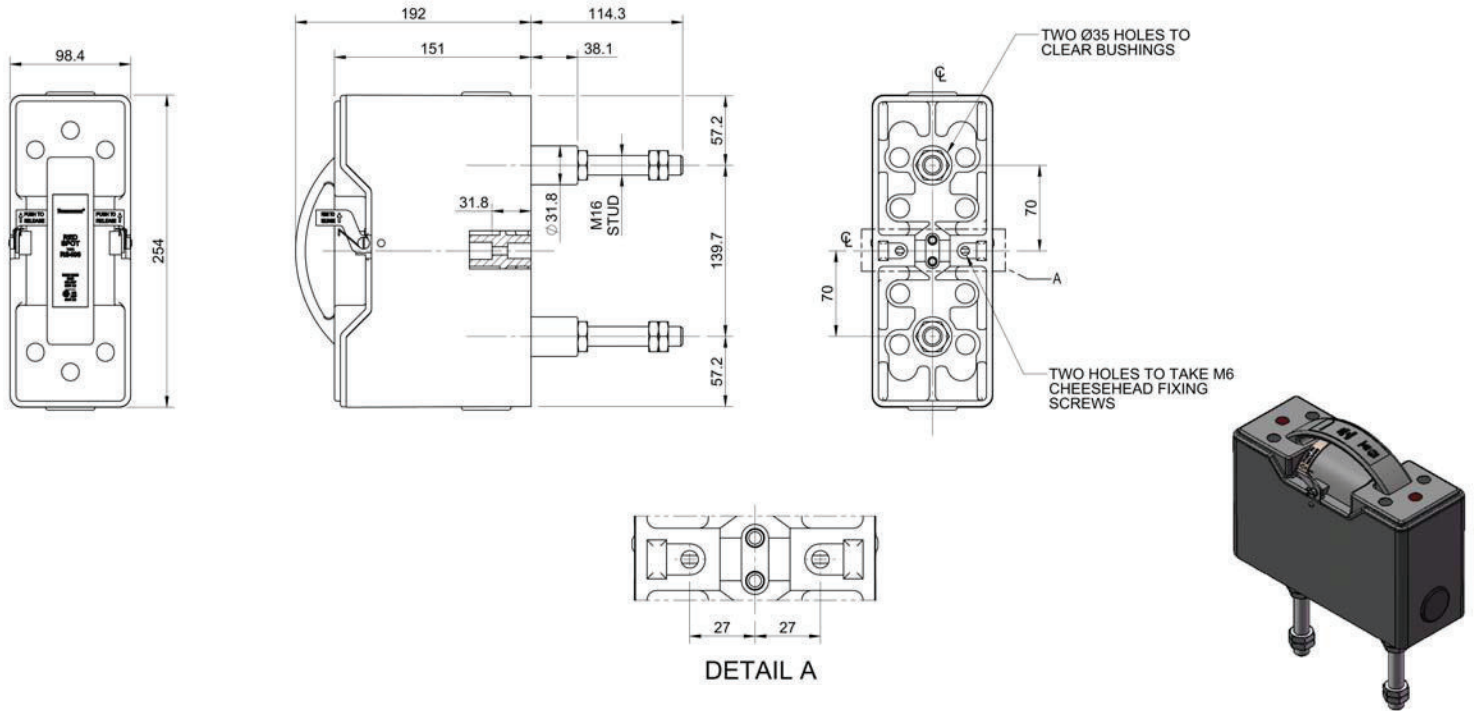
#### 400A, Front Connected



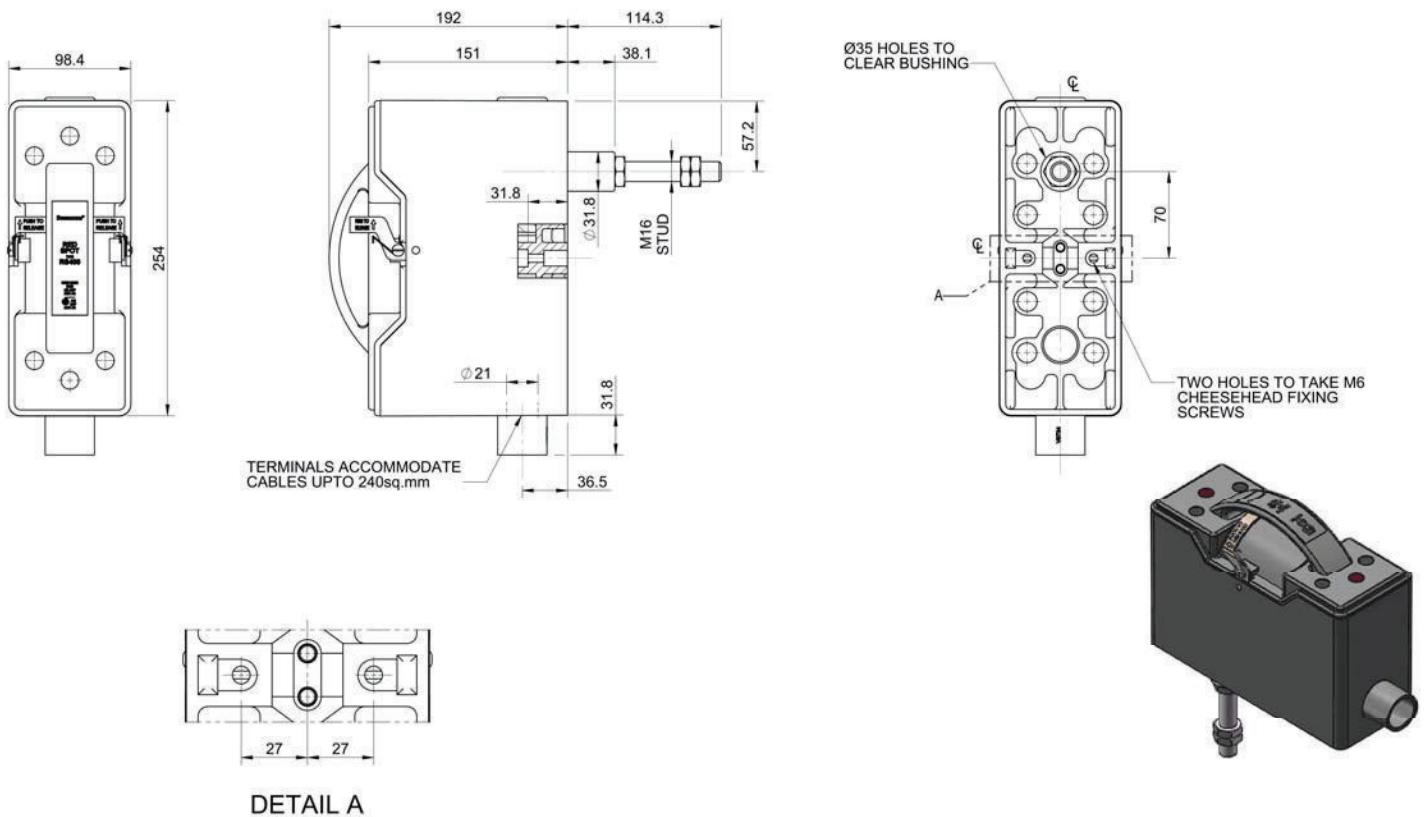
# Red Spot BS Fuse Holder

## Dimensions - mm

### 400A, Back Stud Connected



### 400A, Front / Back Stud Connected



# Red Spot BS Fuse Holder

## Accessories

Type	Part Number	To be used with Fuse Link Type	To be used with Fuse Holders
Padlockable Inserts	RS20LOCK	N/A	RS20
	RS32LOCK	N/A	RS32
	RS63LOCK	N/A	RS63
	RS100LOCK	N/A	RS100
Red Warning Carriers	RS20RED	N/A	RS20
	RS32RED	N/A	RS32
	RS63RED	N/A	RS63
	RS100RED	N/A	RS100
Fuse Link Adaptor Kits*	P5372-10	TIA, TIS, AAO, BAO	RS100
	TCA2	AD, BD, CD, DD, TBC, TC, TF	RS400
Adaptor Kits for GS Fuse Links*	GRS32-A	GSA 5 to 20A	RS32
	GRS63-A	GSA 25 to 50A	RS63
	GRS100-B	GSA 5 to 20A	RS100
	GRS100-A-B	GSA75, GSB 25 to 50A, GSGB 16 to 45A	RS100

\* One adaptor kit required per fuse link.